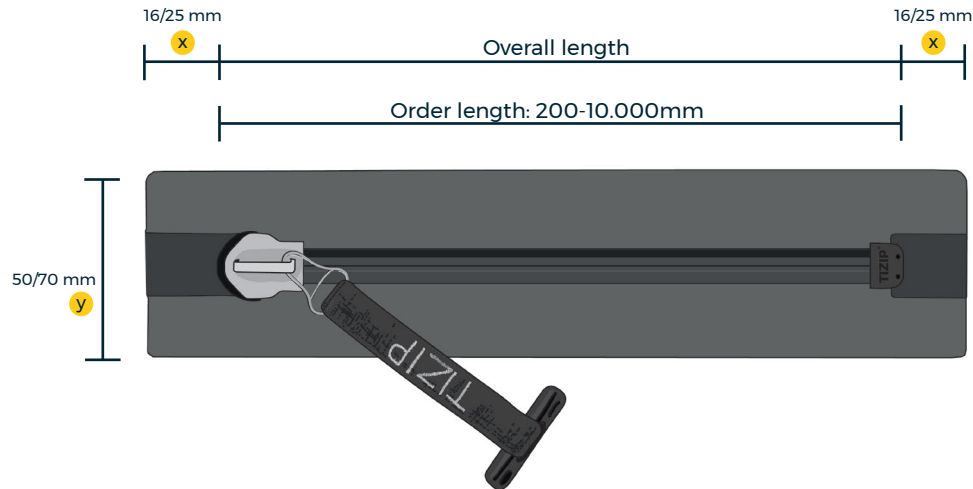


EASYSEAL

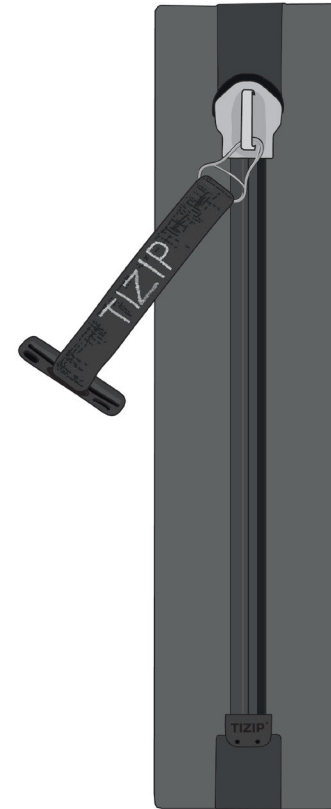
TECHNICAL SPECIFICATIONS OF A CLOSED TIZIP® EASYSEAL

Chain width:	11 mm
Length:	200 - 10.000 mm
Width y :	50/70 mm
Overhang each end x :	16/25 mm
Sealing strength:	250 mbar
Transverse tensile strength:	300 N/cm
Thermal resistance:	-30° bis 80° C
Material:	Polyurethane
Slider:	Metal
Processing:	HF welding, gluing

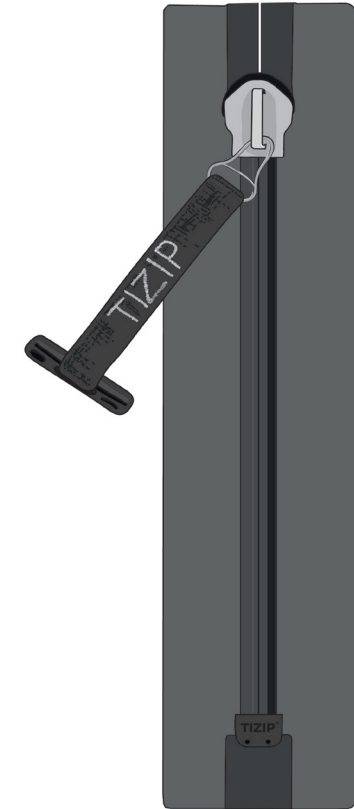
HOW TO MEASURE



VERSIONS



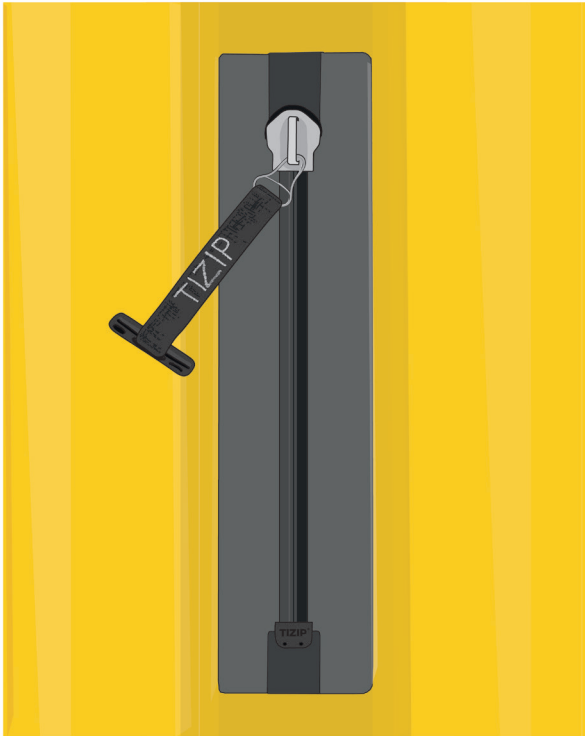
Closed at both ends
/1 slider



Open at one end
/1 slider

EASYSEAL

TIZIP®



MINIMUM SLIT WIDTH

- For all installation methods a slit width of 30 mm is recommended.
- Please ensure a **minimum slit width of 20 mm**.
- For installation into **heavy/stiff material** (e.g. neoprene sheets) a slit width of **30 mm on both front and back** is highly recommended.

APPLICATIONS

- Watersports clothing (semidry suits)
- Protective clothing
- tents and coverings
- Outdoor gear

PRODUCT DURABILITY

- Weather-resistant
- Suitable for freshwater and saltwater applications
- Oil and gasoline-resistant
- Hydrolysis resistance depending on temperature and humidity