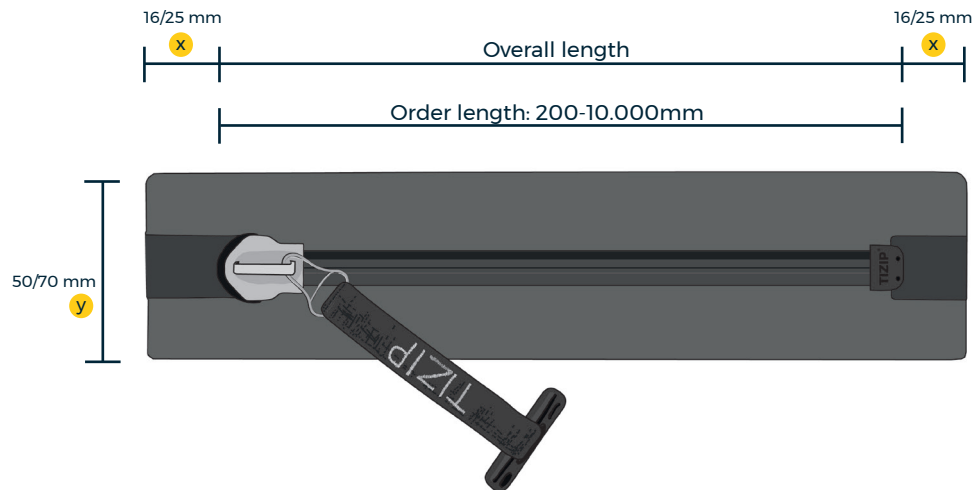


## SUPERSEAL

### TECHNICAL SPECIFICATIONS OF A CLOSED TIZIP® SUPERSEAL

Chain width:	11 mm
Length:	200 - 10.000 mm
Width <b>y</b> :	50/70 mm
Overhang each end <b>x</b> :	16/25 mm
Sealing strength:	700 mbar
Transverse tensile strength:	300 N/cm
Thermal resistance:	-30° bis 80° C
Material:	Polyurethane
Slider:	Metal
Processing:	HF welding, gluing

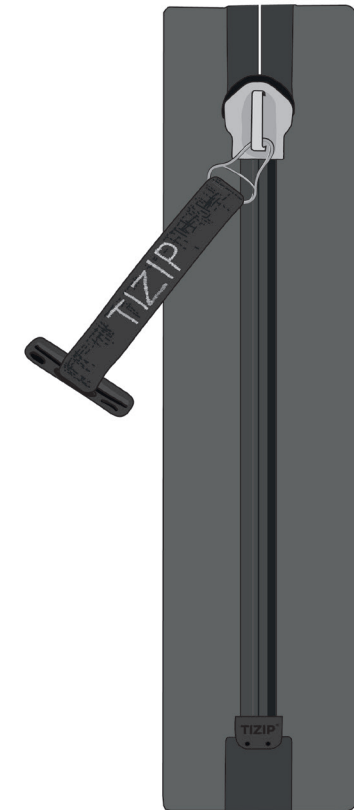
### HOW TO MEASURE



### VERSIONS



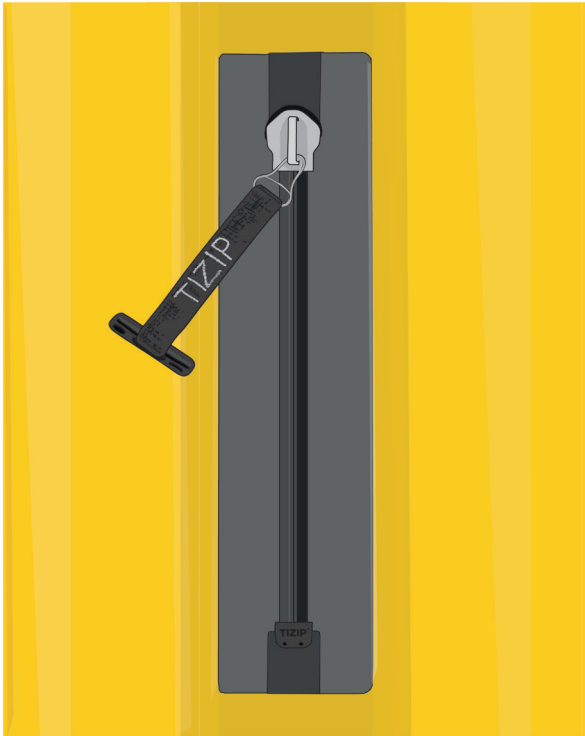
Closed at both ends  
/1 slider



Open at one end  
/1 slider

# SUPERSEAL

# TIZIP®



## MINIMUM SLIT WIDTH

- For all installation methods a slit width of 30 mm is recommended.
- Please ensure a **minimum slit width of 20 mm**.
- For installation into **heavy/stiff material** (e.g. neoprene sheets) a slit width of **30 mm on both front and back** is highly recommended.

## APPLICATIONS

- Watersports clothing (dry and semidry suits)
- Protective clothing
- Coverings
- Outdoor gear
- Inflatable objects (e.g. water balls, promotional balloons)

## PRODUCT DURABILITY

- Weather-resistant
- Suitable for freshwater and saltwater applications
- Oil and gasoline-resistant
- Hydrolysis resistance depending on temperature and humidity