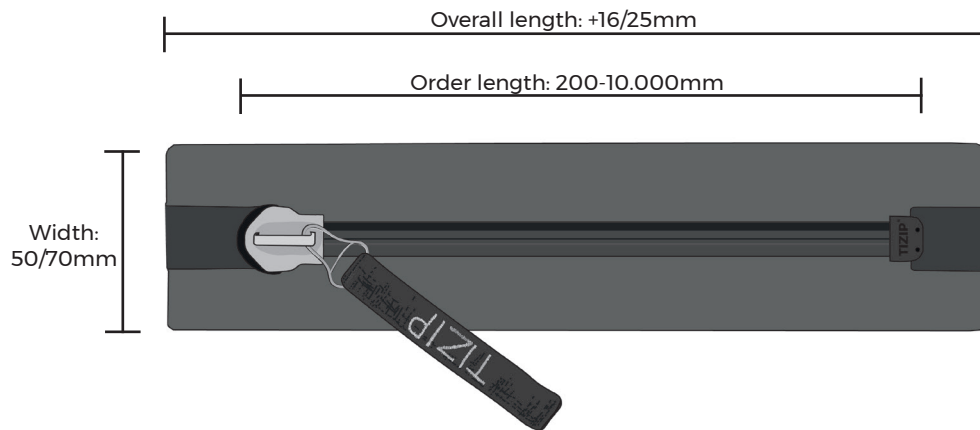


WATERSEAL

TECHNICAL SPECIFICATIONS OF A CLOSED TIZIP® WATERSEAL

Chain width:	9 mm
Length:	200 - 10.000 mm
Width:	50/70 mm
Overhang:	16/25 mm
Sealing strength:	Splash water
Transverse tensile strength:	300 N/cm
Thermal resistance:	-30° bis 80° C
Material:	Polyurethane
Slider:	Metal
Processing:	HF welding, gluing

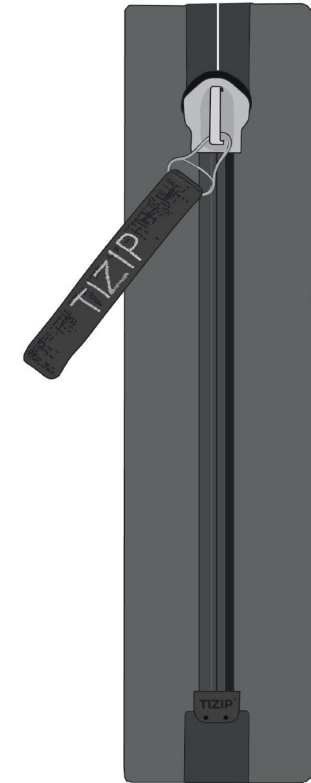
HOW TO MEASURE



VERSIONS



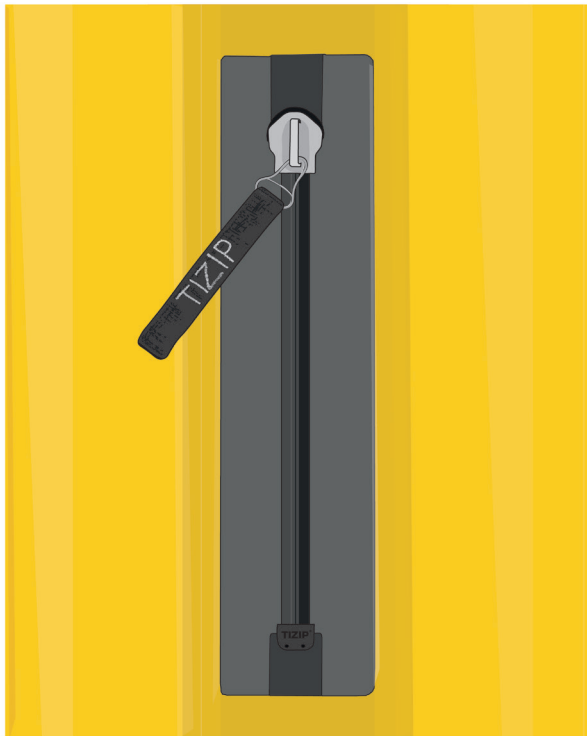
Closed at both ends
/1 slider



Open at one end
/1 slider

WATERSEAL

TIZIP®



MINIMUM SLIT WIDTH

- For all installation methods a slit width of 30 mm is recommended.
- Please ensure a **minimum slit width of 20 mm**.
- For installation into **heavy/stiff material** (e.g. neoprene sheets) a slit width of **30 mm on both front and back** is highly recommended.

APPLICATIONS

- Watersports clothing (above water)
- Protective coverings
- Outdoor gear
- Hiking shoes and boots

PRODUCT DURABILITY

- Weather-resistant
- Suitable for freshwater and saltwater applications
- Oil and gasoline-resistant
- Hydrolysis resistance depending on temperature and humidity