

# SUPERSEAL

▪ VERSIONS	2
▪ TECHNICAL DATASHEET	3
▪ APPLICATIONS	4
▪ MAINTENANCE	5
▪ CONFIGURATION	7



PREMIUM WATERPROOF ZIPPERS MADE IN GERMANY



waterproof



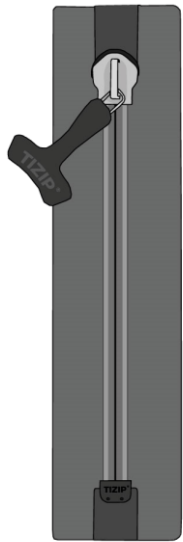
airtight



pressure tested

# SUPERSEAL

## VERSIONS

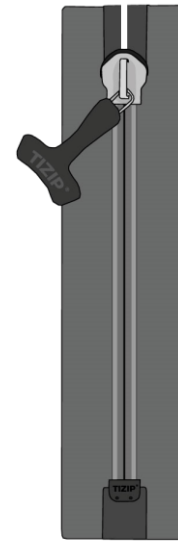


SuperSeal  
HE

1 slider



**both sides closed**



SuperSeal  
TS

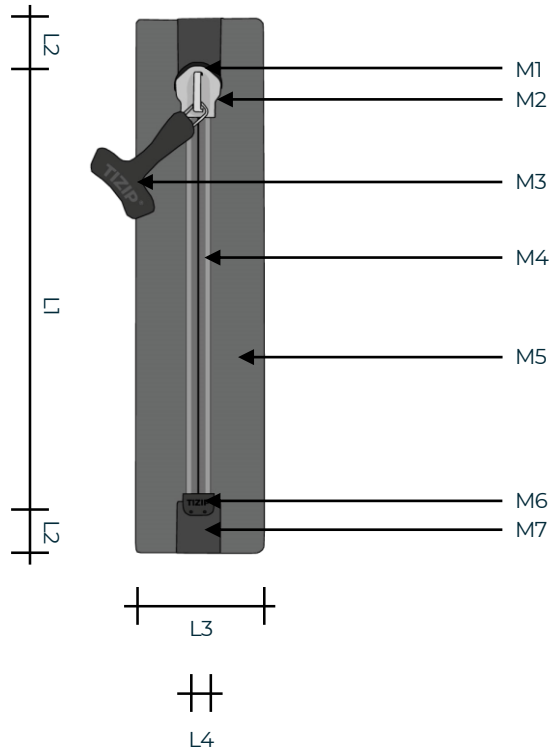
1 slider



**one side open**

# SUPERSEAL

## TECHNICAL DATASHEET



### Geometry\*

- L1 Order length: 200 - >>10.000 mm
- L2 Overhang length: 16 mm / 25 mm
- L3 Tape width: 50 mm / 70 mm
- L4 Chain width: 11 mm

### Material\*

- M1 Docking End: Thermoplastic Polyurethane
- M2 Slider: Metal
- M3 Puller: Polyurethane
- M4 Chain: Polyester Monofilament
- M5 Tape: Polyurethan coated Polyester
- M6 End Stop: Thermoplastic Polyurethan
- M7 Pattern: Polyurethan coated Polyester

### Parameter\*

- ☔ Sealing strength: 700 mbar (IPX7)
- ↔ Cross tension: 300 N/cm
- 🌡️ Temperatur: -30° to +70° C

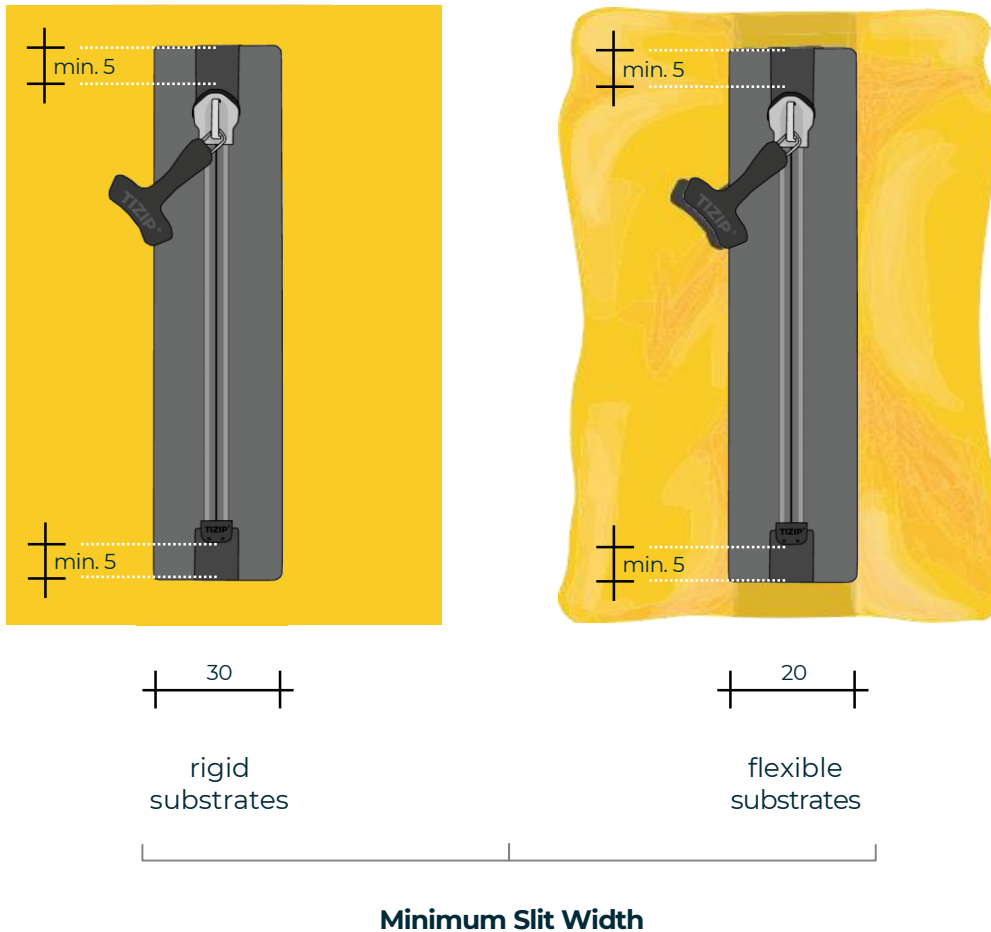
### Installation\*

HF welding, sewing + taping, gluing

\* configuration-dependent target values, Lubrication necessary

# SUPERSEAL

## APPLICATIONS / DURABILITY / INSTALLATION



### Applications

- Diving Suits
  - Inflatable objects
  - Protective & survival
  - Shoes
  - Tents, covers
  - Backpacks, duffel bags, cooler bags
  - Other
- Water Sports
- Clothing
- Outdoor

### Durability

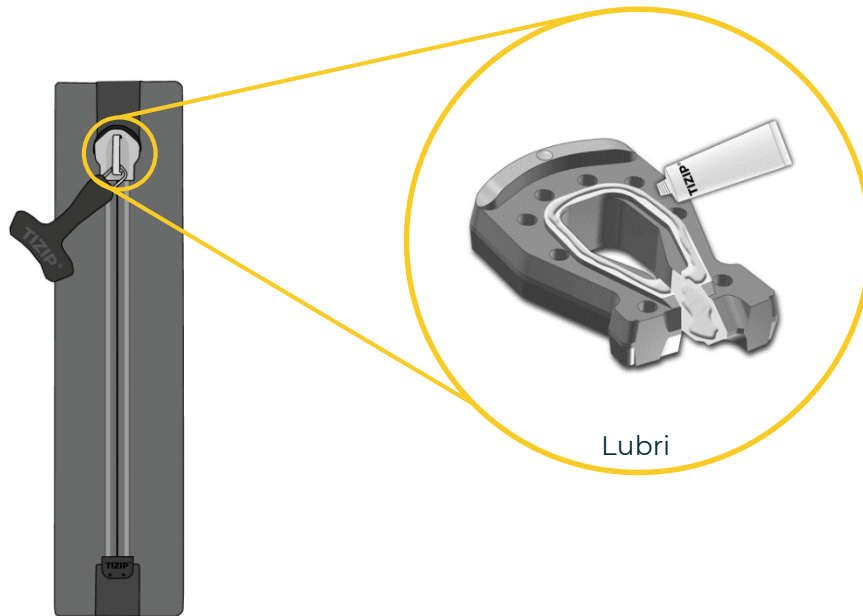
- Weather-resistant
- Suitable for both freshwater and saltwater applications
- Oil and gasoline-resistant

### Installation

- A minimum slit width of 20 mm is recommended for all types of substrates.
- With rigid substrates (fabric, foils, neoprene, etc.) the slit width should be increased to at least 30 mm.
- The zip must not be roughened for installation.
- The welding temperature, welding time, welding electrode and contact pressure must be optimally adjusted to the zipper (material, geometry, etc.). Tests are recommended before installation.

# SUPERSEAL

## BEST PRACTICE / CLEANING / STORAGE



### Best Practice

- Operate the slide gently. Pulling at an angle can negatively affect the zippers, e.g. their tightness.
- Avoid overstretching the docking end and end pieces if necessary by using the optional Q-Strap. Do not pull the two sides of the zipper apart forcefully.
- Be careful not to fold or squeeze the zippers.
- Close each zipper carefully so that the slider lies correctly in the docking end to guarantee tightness.

### Cleaning

- Dirt particles, especially between the teeth, can affect the sealing lip and thus negatively affect the tightness and durability.
- We recommend a light soapy water and a fine brush.
- Do not use solvents or aggressive cleaning agents as these negatively affect the function of the zipper.

### Lubrication

- SuperSeal zippers need to be lubricated.
- Apply gently the lubricating grease in the area of the docking end on the front and back, as well as on the inside at the transition to the zip chain.
- Do not use grease along the zipper chain.
- Remove remaining lubricating grease to avoid stains.
- Use the original TIZIP® lubricating grease.

### Storage

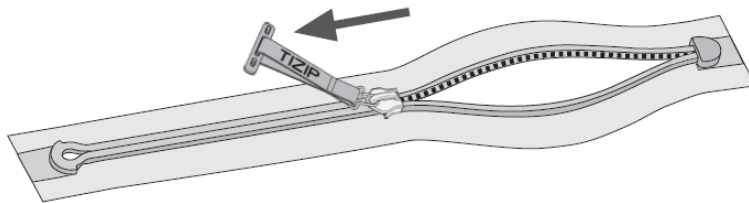
- TIZIP® zippers should be stored completely closed, dry, clean and without bending.

# SUPERSEAL

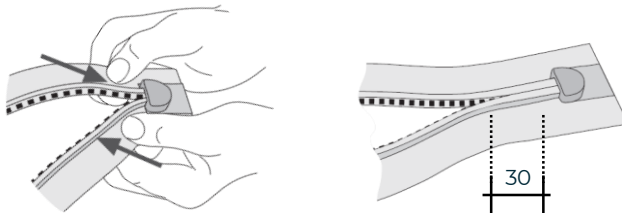
## REPAIR MANUAL OVER-STRESSING



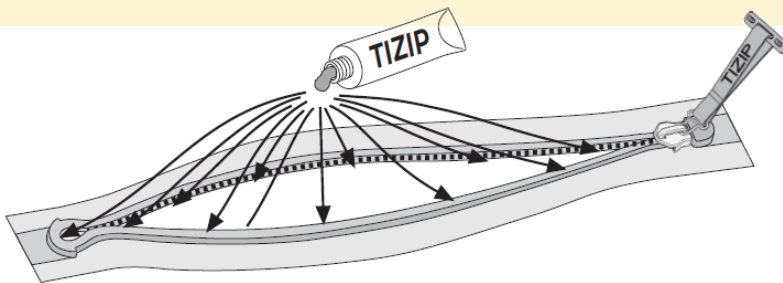
1



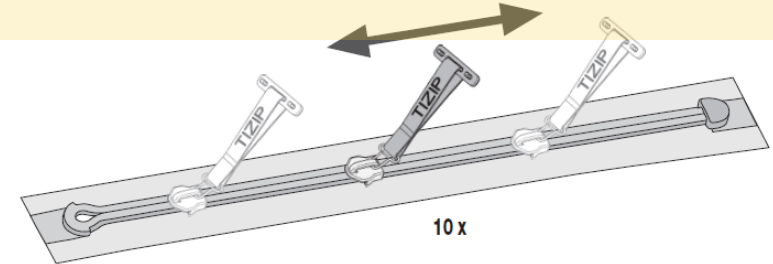
2



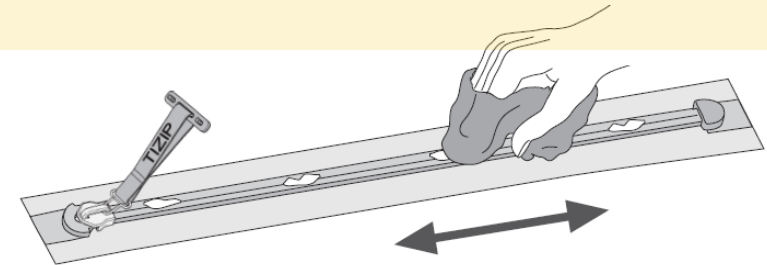
3



4



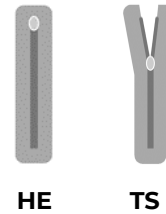
5



### OVER-STRESSING

- If there is an overload during closing, it can happen that the chain remains open, but is not damaged.
- To repair, simply pull the slider back and close the zipper again with less lateral tension.
- If the chain is open up to the lower slider stop, the lower 3 cm must first be engaged by hand.
- Then slide the slider back into the restored area.

# SUPERSEAL CONFIGURATION



## 1.0 GEOMETRY

1.1	L1 - Length	200 – 10.000 mm	other lengths on request	
1.2	L2 - Overhang	25 / 25 mm	■	■
1.3	L2 - Overhang	16 / 16 mm	□	□
1.4	L3 - Width	50 mm	□	□
1.5	L3 - Width	70 mm	■	■

■ Standard □ Option

# SUPERSEAL CONFIGURATION



HE



TS



## 2.0 OPTIC

2.1	M5 - Tape	plain	■	■	■	□	□	□	□	□	□	□	□	□
2.2	M7 - Pattern	front side	■	■	■	□	□	□	□	□	□	□	□	□

## 3.0 SLIDER

3.1	M2 - Metal Slider		■	■										
-----	-------------------	---	---	---	--	--	--	--	--	--	--	--	--	--

■ Standard □ Option



# SUPERSEAL CONFIGURATION



HE



TS



## 4.0 PULLER

			HE	TS	Black	RAL 7016	Pantone 000C	Pantone 7501 C	Pantone 7497 C	Pantone 2426 C	Pantone 18-1555	Pantone 2174 C	Pantone 13-0752	Customized
4.1	M3 - Puller 35M	35 mm		<input type="checkbox"/>	<input type="checkbox"/>	<input checked="" type="checkbox"/>	<input type="checkbox"/>	<input type="checkbox"/>	<input type="checkbox"/>	<input type="checkbox"/>	<input type="checkbox"/>	<input type="checkbox"/>	<input type="checkbox"/>	<input type="checkbox"/>
4.2	M3 - Puller 35C	35 mm		<input type="checkbox"/>	<input type="checkbox"/>	<input checked="" type="checkbox"/>	<input type="checkbox"/>	<input type="checkbox"/>	<input type="checkbox"/>	<input type="checkbox"/>	<input type="checkbox"/>	<input type="checkbox"/>	<input type="checkbox"/>	<input type="checkbox"/>
4.3	M3 - Puller 70W	70 mm		<input type="checkbox"/>	<input type="checkbox"/>	<input type="checkbox"/>	<input type="checkbox"/>	<input type="checkbox"/>	<input type="checkbox"/>	<input type="checkbox"/>	<input checked="" type="checkbox"/>	<input type="checkbox"/>	<input type="checkbox"/>	<input type="checkbox"/>
4.4	M3 - Puller 35W	35 mm		<input checked="" type="checkbox"/>	<input checked="" type="checkbox"/>	<input checked="" type="checkbox"/>	<input type="checkbox"/>	<input type="checkbox"/>	<input type="checkbox"/>	<input type="checkbox"/>	<input type="checkbox"/>	<input type="checkbox"/>	<input type="checkbox"/>	<input type="checkbox"/>
4.5	M3 - Puller 10W	10 mm		<input type="checkbox"/>	<input type="checkbox"/>	<input checked="" type="checkbox"/>	<input type="checkbox"/>	<input type="checkbox"/>	<input type="checkbox"/>	<input type="checkbox"/>	<input type="checkbox"/>	<input type="checkbox"/>	<input type="checkbox"/>	<input type="checkbox"/>
4.6	Puller Customized logo	only with 4.1	<input type="checkbox"/>	<input type="checkbox"/>	<input checked="" type="checkbox"/>	<input type="checkbox"/>	<input type="checkbox"/>	<input type="checkbox"/>	<input type="checkbox"/>	<input type="checkbox"/>	<input type="checkbox"/>	<input type="checkbox"/>	<input type="checkbox"/>	<input type="checkbox"/>

■ Standard    □ Option

SUPERSEAL

[WWW.TIZIP.COM](http://WWW.TIZIP.COM)



**Urheberrecht © 2022**

- Inhalte und Werke unterliegen dem deutschen Urheberrecht.
- Vervielfältigung, Bearbeitung, Verbreitung bedürfen der schriftlichen Zustimmung von TITEX.
- Kopien sind für kommerziellen Gebrauch nicht gestattet

**GDS GmbH & Co. KG**

- Rainstrasse 8
- 91560 Heilsbronn, Germany
- [info@tizip.com](mailto:info@tizip.com) | [www.tizip.com](http://www.tizip.com)

**Follow us on social media**

